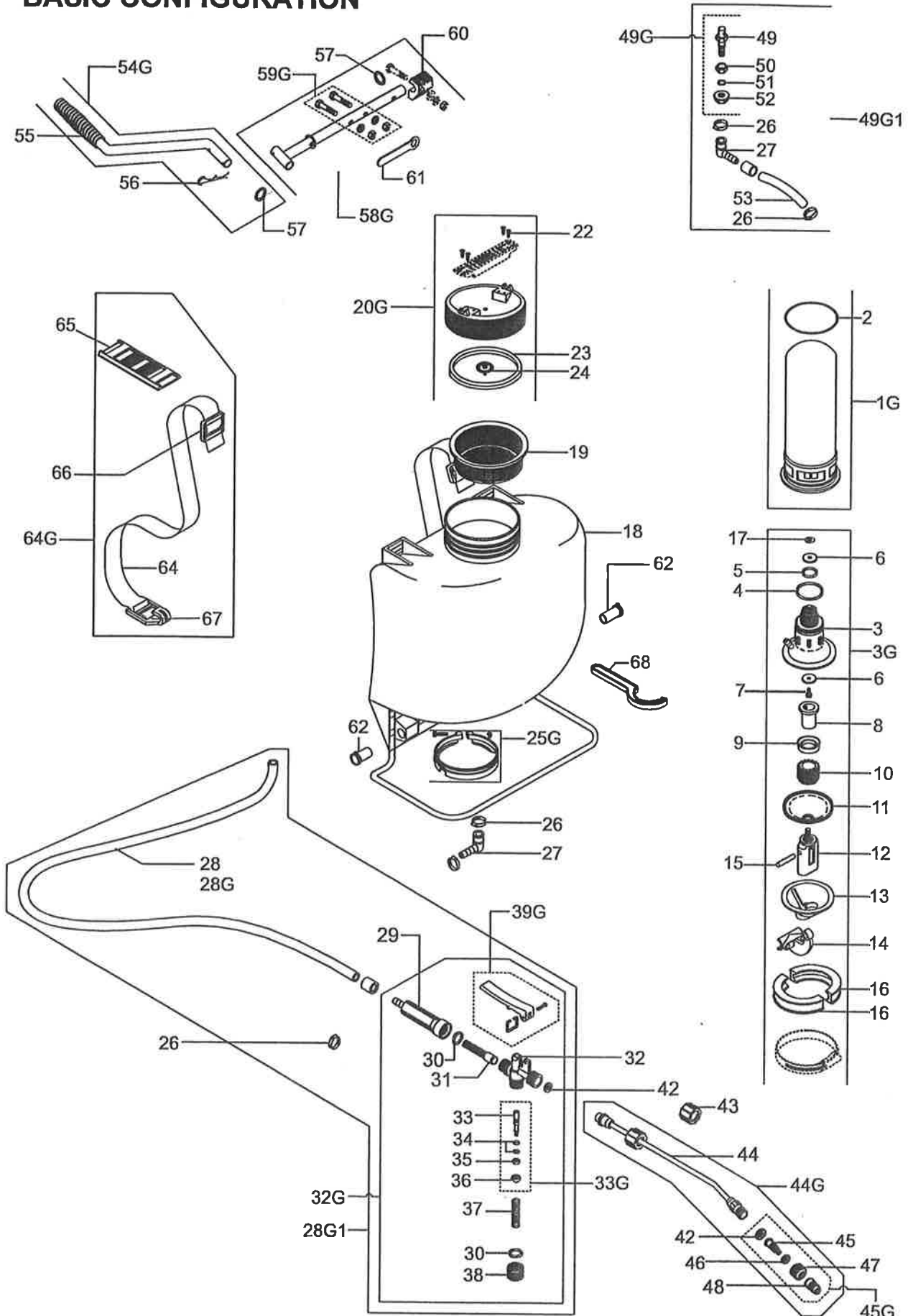


BASIC CONFIGURATION



NOTE:

— Please note that marked "=" have standard ORANGE color. Unless a parts order states otherwise they will be supplied in this standard color.

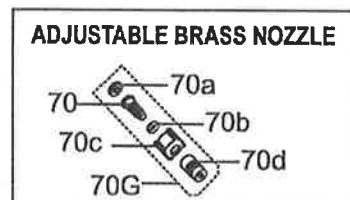
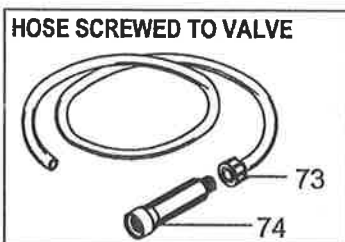
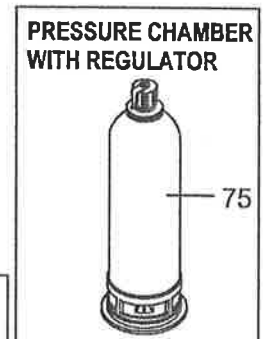
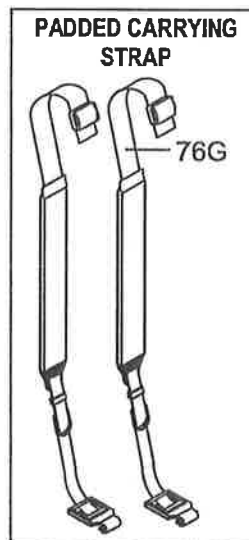
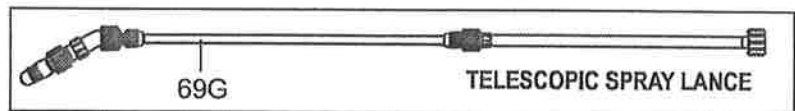
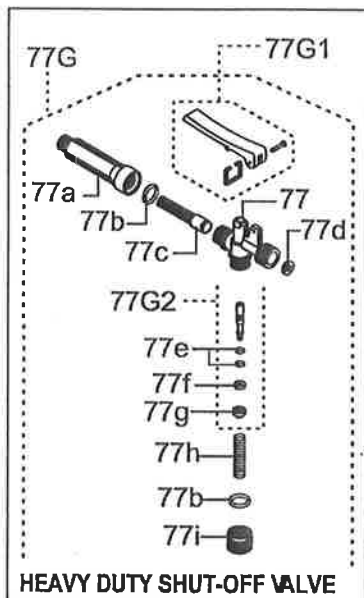
COMMON PROBLEMS AND POSSIBLE CORRECTIONS		
PROBLEM	CAUSE	SOLUTION
The pump handle is hard to move	The wall of the module are dirty The piston sleeve is dirty or worn out.	To clean or change the piston sleeve.
The tank collapses	The breather check is blocked up.	To clean the breather check of the lid.
The lid leaks	The lid do not seal correctly.	Oil the lid gasket.
The module leaks	Diaphragm is broken	Change the diaphragm.
Lack of pressure	Valve plates dirty or clogged.	Clean or change the valve plates.
The pump handle goes upwards	Valve plate inside the module es broken or clogged.	Clean or change the valve plate.
Pressure doesn't last	Insufficient air chamber.	Pour all the liquid from the tank and from the pressure chamber. NOTE: to prevent this always let the pressure using scape after the sprayer.

BASIC CONFIGURATION

Part	Code	Description	Part	Code	Description
1G	E501-019-C	Pressure chamber ass'y	34	E803-068	O'ring - V (2pcs)
2	E501-021	O'ring	35	E803-063	Pin gasket - N
3	E503-012	Upper module	36	E803-065	Metal support
3G	E503-013-C	Pump module ass'y	37	E803-067	Plunger spring
4	E501-027	O'ring	38	E803-164	Cap
5	E501-023	O'ring	39G	E803-072-C	Pump lever ass'y
6	E501-401	Valve plate - V (2 pcs)	42	E803-114	Gasket - N
7	E501-055	Valve screw	43	E803-059	Nut
8	E503-013	Inner piston	44	E803-085	Spray lance
9	E503-028	Piston - V	44G	E803-285-C	Spray lance ass'y
10	E503-024	Grooved piston	45	E803-262	Nozzle body
11	E503-031	Diaphragm	45G	E803-262-C	Nozzle body ass'y
12	E503-039	Connecting rod	46	E803-083	O'ring
13	E503-041	Lower module	47	E219-211	Nozzle nut
14	E503-042	Pump lever	48	E803-263	Nozzle cap
15	E503-040	Plastic pin	49	E503-067	Agitator nipple
16	E503-143	1/2" clamp	49G	E503-067-C	Plastic nipple ass'y
18	E503-005	Tank	49G1	E503-047-C	Agitator complete with hose
17	E501-390	Washer	50	E503-077	Bushing
19	E501-004	Strainer	51	E503-069	O'ring for agitator nipple
20G	E501-001-C	Tank lid ass'y	52	E503-068	Nut for agitator nipple
22	E501-144	Lid screw	53	E503-048	Agitator hose
23	E501-002	Lid gasket	54G	E476-053-C	Swingback pump handle
24	E501-020	Breather check	55	E501-015	Handle grip
25G	E476-008-C	Plastic clamp ass'y	56	E501-050	"R" locking pin 1/8"
26	E501-082	SX 9-18 clamp	57	E501-010	Washer
27	E502-191	Connector	58G	E501-217-C	Horizontal pump shaft
28	E803-081	Hose 3/8"	59G	E501-045-C	Screw ass'y (2 pcs)
28G	E803-081-C	Hose w/fitting	60	E501-141	Plastic locking pin
28G1	E807-065-C1	Hose & valve body 807 3/8" ass'y	61	E501-138	1/2" wrench
29	E807-075	Filter housing 3/8"	62	E501-006	Pump shaft bushing (2 pcs)
30	E803-060	Arosello para tapón	64	E501-034	Carrying strap
31	E807-074	Filter insert 807	64G	E501-034-C	Carrying strap ass'y (2 pcs)
32	E807-173	Valve body 807	65	E501-025	Shoulder pad
32G	E807-075-C	Valve body 807 3/8" ass'y	66	E501-035	Strap buckle
33	E803-166	Plunger	67	E189-036	Strap hook
33G	E803-067-C	Plunger ass'y	68	E503-074	Wrench

FACTORY-INSTALLED UPGRADE OPTIONS

Part	Code	Description	Part	Code	Description
69G	E219-236-C	Telescopic spray lance ass'y	76G	E501-230-C	Padded carrying strap ass'y
70	E803-092	Nozzle body	77	E807-073	Valve body
70a	E803-114	Gasket - N	77a	E807-175	Filter housing
70b	E803-083	O'ring	77b	E803-060	O'ring
70c	E803-090	Nozzle nut (2pcs)	77c	E807-074	Filter insert
70d	E803-087	Nozzle cap	77d	E803-114	Gasket - N
70G	E803-092-C	Nozzle body ass'y	77e	E803-068	O'ring - V (2pcs)
71a	E219-134	Hi-volume nozzle gasket	77f	E803-061	Pin gasket - V
71b	E219-133	Hi- volume nozzle cap	77g	E803-065	Metal support
71G	E219-610-C	Hi- volume nozzle 11/16" thread aluminum	77h	E803-067	Plunger spring
73	E807-281-C	Hose screwed on to valve	77i	E803-064	Cap
74	E807-175	Threaded filter housing	77G	E807-175-C	Havy duty shut-off valve ass'y
75	E219-015-C1	Pressure chamber with regulator	77G1	E803-072-C	Valve lever ass'y
			77G2	E803-061-C	Plunger ass'y



NOTE:

- For practical time-saving accessories, special nozzle tips etc., please refer to spec sheet "OPTIONAL SWISSMEX-RAPID ACCESORIES".

In the interest of continued technologic progress specifications are subject to change without notice

SWISSMEX®

Calle Swissmex No. 500
Col. Las Ceibas,
47440 Lagos de Moreno
Jalisco, México

Fax 474-7420856
" 474-7424185
☎ 474-7420300
" 474-7420400

internet - www.swissmex.com.mx
E-mail - swissmex@swissmex.com.mx